

## "UNIVERSAL" FOR T-1 & T-1 3/4

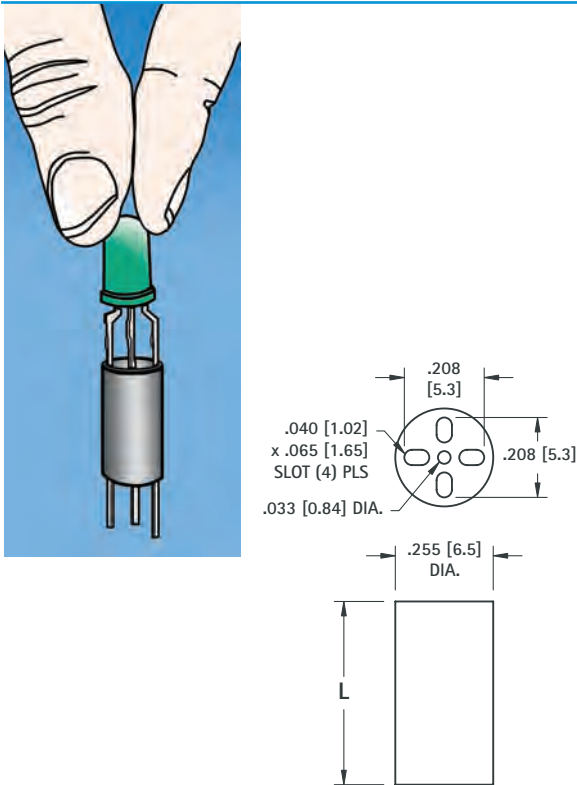
- Unique design separates leads and retains Tri-Lead and Bi-Lead components.
- Designed for PC board mounting of Tri-Lead and Bi-Lead T-1 and T-1 3/4 LEDs
- Provides height control, lead retention and stability.
- Also suitable for mounting lamps, resistors, transistors, diodes, capacitors, etc.

## "SELF-ALIGNING" FOR BI-LEAD T-1 & T-1 3/4

- These unique, new self-aligning Bi-Lead LED mounting spacers, for T-1 and T-1 3/4 LEDs, reduce labor costs by simplifying preassembly to the printed circuit board.
- The spacer features an internally tapered barrier which guides the leads and eliminates the possibility of crimping or shorting. The internal configuration also assures positive self-alignment on .100 (2.6) centers.
- The bosses serve the dual purpose of heat dissipation and easy post soldering cleanup.
- Available in a range of lengths from .120 (3.1) to .925 (23.5) long.

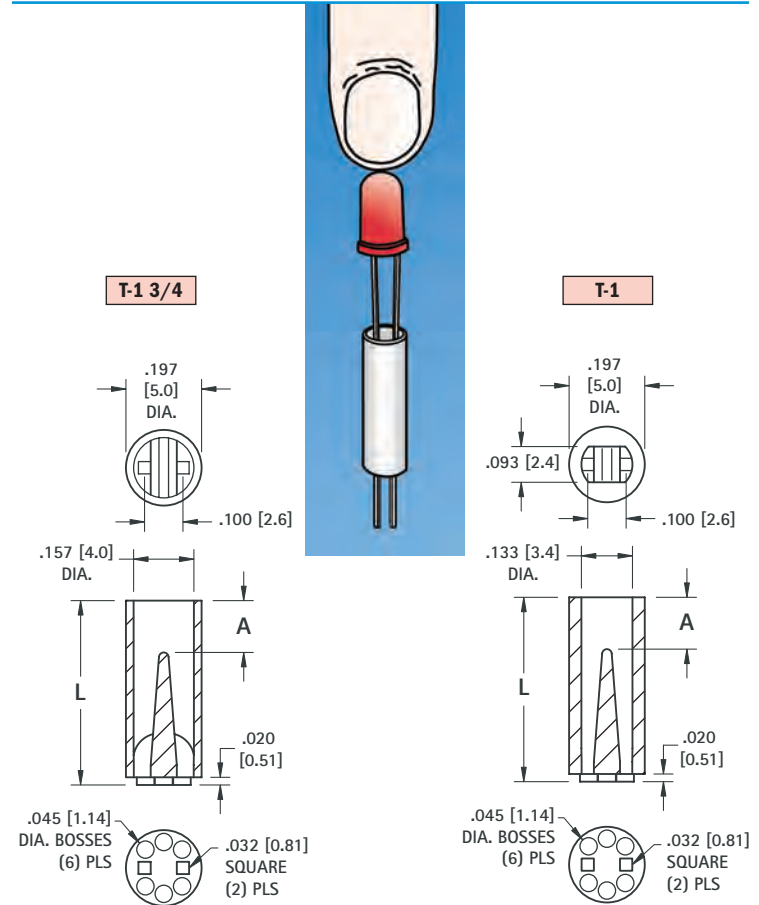
### KEY FEATURES

- Internal design eliminates crimping or shorting of leads.
- Positive self-alignment of leads on .100 (.25) centers.
- Cost and labor saving.
- No special tools required



**MATERIAL:** Black PVC, UL Rated 94V-0

FOR T-1 3/4 and T-1			
CAT. NO.	L LENGTH	CAT. NO.	L LENGTH
8900	.120 (3.0)	8916	.400 (10.2)
8901	.140 (3.6)	8917	.420 (10.7)
8902	.160 (4.1)	8918	.440 (11.2)
8903	.180 (4.6)	8919	.450 (11.4)
8904	.200 (5.1)	8920	.460 (11.7)
8905	.220 (5.6)	8921	.480 (12.2)
8906	.240 (6.1)	8922	.500 (12.7)
8907	.250 (6.4)	8923	.550 (14.0)
8908	.260 (6.6)	8924	.600 (15.2)
8909	.280 (7.1)	8925	.650 (16.5)
8910	.300 (7.6)	8926	.700 (17.8)
8911	.320 (8.1)	8927	.750 (19.1)
8912	.340 (8.6)	8928	.800 (20.3)
8913	.350 (8.9)	8929	.850 (21.6)
8914	.360 (9.1)	8930	.900 (22.9)
8915	.380 (9.7)	8931	.925 (23.5)



**MATERIAL:** Natural Nylon, UL Rated 94V-2

T-1 3/4	T-1		
CAT. NO.	CAT. NO.	L LENGTH	A REF.
8311	7351	.120 (3.0)	.045 (1.14)
8312	7352	.140 (3.6)	.065 (1.65)
8313	7353	.160 (4.1)	.085 (2.16)
8314	7354	.180 (4.6)	.105 (2.7)
8315	7355	.200 (5.1)	.125 (3.2)
8316	7356	.220 (5.6)	.145 (3.7)
8317	7357	.240 (6.1)	.045 (1.14)
8318	7358	.250 (6.4)	.060 (1.52)
8319	7359	.260 (6.6)	.065 (1.65)
8320	7360	.280 (7.1)	.090 (2.3)
8321	7361	.300 (7.6)	.110 (2.8)
8322	7362	.320 (8.1)	.120 (3.1)
8323	7363	.340 (8.6)	.140 (3.6)
8324	7364	.350 (8.9)	.150 (3.8)
8325	7365	.360 (9.1)	.160 (4.1)
8326	7366	.380 (9.7)	.060 (1.52)

T-1 3/4	T-1		
CAT. NO.	CAT. NO.	L LENGTH	A REF.
8327	7367	.400 (10.2)	.075 (1.91)
8328	7368	.420 (10.7)	.095 (2.41)
8329	7369	.440 (11.2)	.115 (2.9)
8330	7370	.450 (11.4)	.120 (3.1)
8331	7371	.460 (11.7)	.135 (3.4)
8332	7372	.480 (12.2)	.145 (3.7)
8333	7373	.500 (12.7)	.055 (1.40)
8334	7374	.550 (14.0)	.095 (2.41)
8335	7375	.600 (15.2)	.150 (3.8)
8336	7376	.650 (16.5)	.075 (1.91)
8337	7377	.700 (17.8)	.120 (3.1)
8338	7378	.750 (19.1)	.055 (1.40)
8339	7379	.800 (20.3)	.110 (2.8)
8340	7380	.850 (21.6)	.160 (4.1)
8341	7381	.900 (22.9)	.200 (5.1)
8342	7382	.925 (23.5)	.230 (5.8)